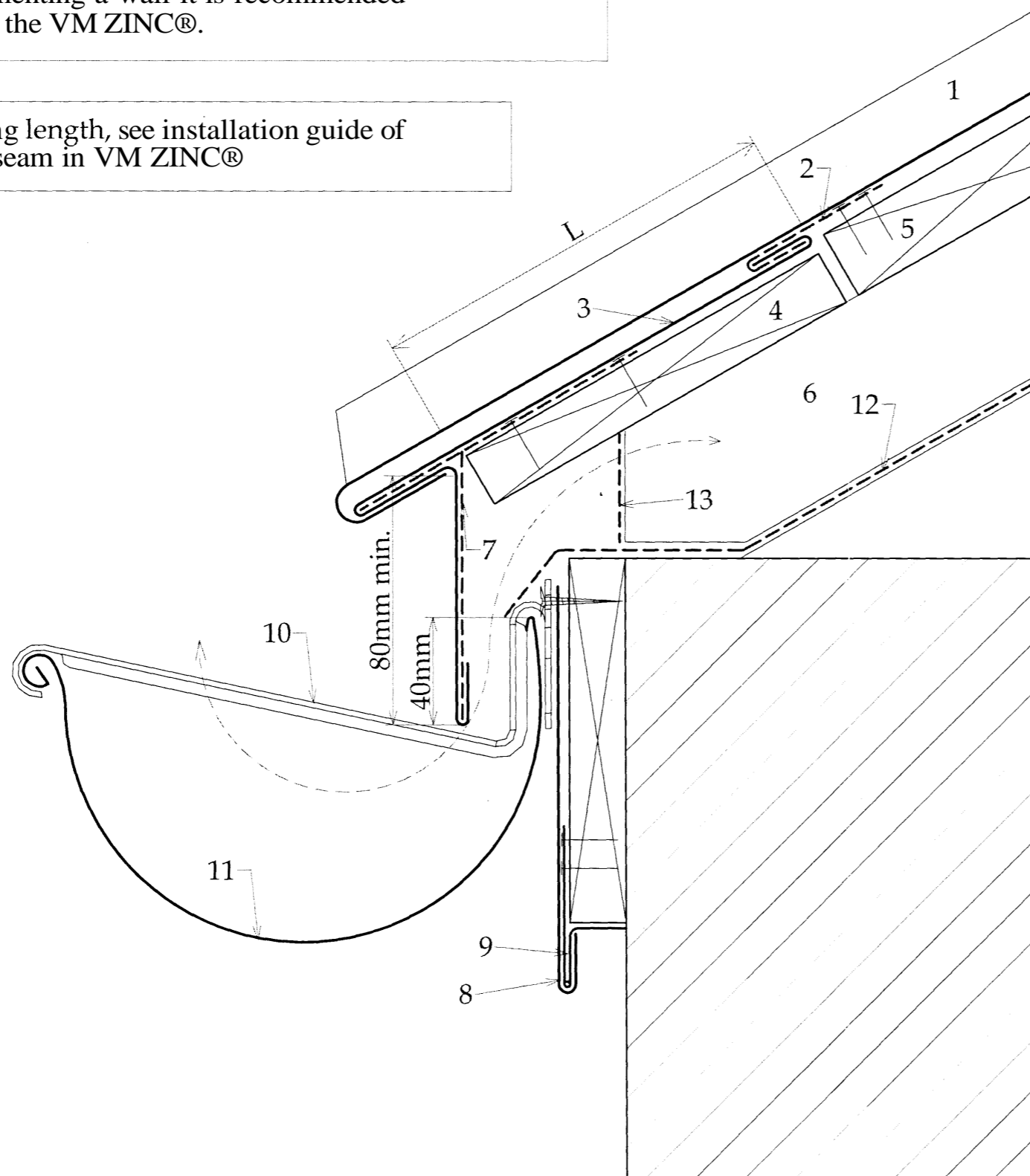


JUNCTION PLULINE® D GUTTER

- In some cases it is recommended to provide snow guards
- When cementing a wall it is recommended to protect the VM ZINC®.

L=flashing length, see installation guide of standing seam in VM ZINC®



1. standing seam in VM ZINC®
2. sheet clip in VM ZINC®,
th=0.8 mm, w=80 mm, 2 per m
3. continuous eaves apron strip in VM ZINC®
4. eaves boards, 5 mm thinner than adjacent boards
5. roof boarding
6. ventilated space
7. folded clip in VM ZINC®,
th=1 mm, w=250 mm, 2 per m
8. flashing in VM ZINC®
9. continuous sheet strip in VM ZINC®, th=0.8 mm
10. PLULINE® D concealed gutter bracket
11. PLULINE® D gutter
12. breather underlay
13. mesh (2 mm max. weave)

The confidential information in this design document is protected by intellectual property rights and is the sole property of Umicore. Any use/distribution of the design, in whole or in part, not related to the installation of Umicore products, is unauthorised and strictly prohibited.

PRINCIPLE DETAIL

Ref : PID/guJon Date · 03/10/08

This study is carried out free of charge, based on the elements in possession of the Project Support Bureau of nv Umicore sa - Building Products. The author is responsible for adaptation to the definitive characteristics of the project.

Work must be carried out in accordance with the "Guidelines for specification and installation" from the last edition of VM ZINC®, produced by nv Umicore sa - Building Products

nv Umicore Building Products /Umicore Marketing Services UK

