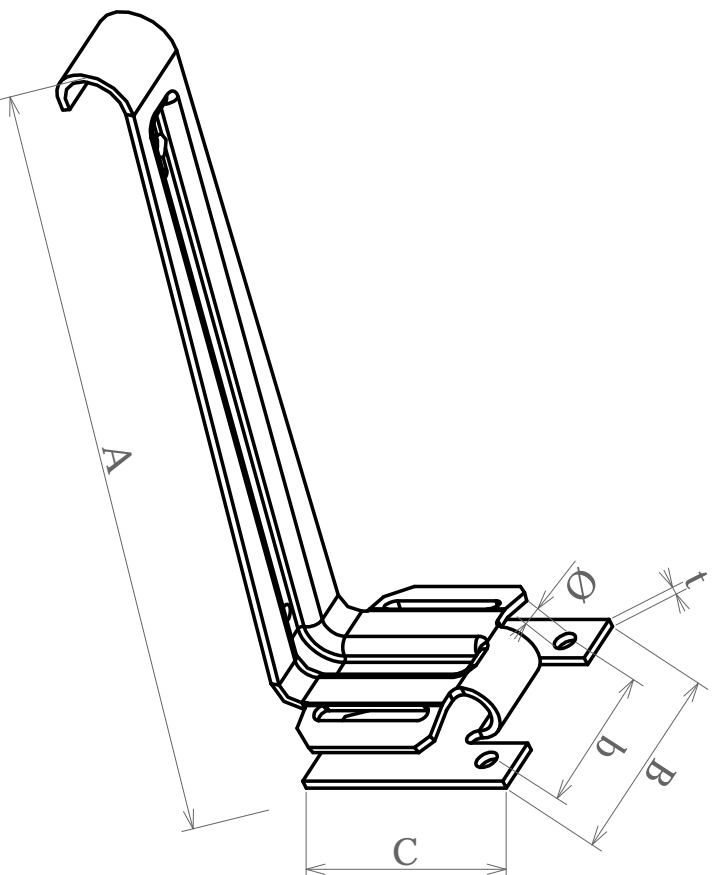


Concealed Bracket : 250 and 333



Concealed Bracket 250	
A	139 mm
B	51 mm
C	43 mm
b	39 mm
t	1.5 mm
Ø	5 mm

Concealed Bracket 333	
A	190 mm
B	53 mm
C	53 mm
b	39 mm
t	2 mm
Ø	5 mm

PLULINE "D"

PRODUCT N° 3 : 250 and 333



Dimensions mentioned on the drawing may slightly vary, these are indicative.

Work must be carried out in accordance with the recommendations of VM ZINC®

Umicoire Marketing Services U.K. / Building Products